

12 Tonne

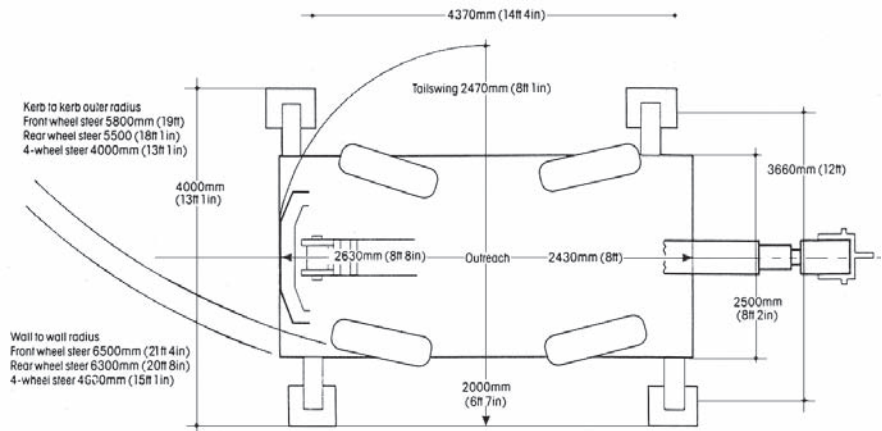
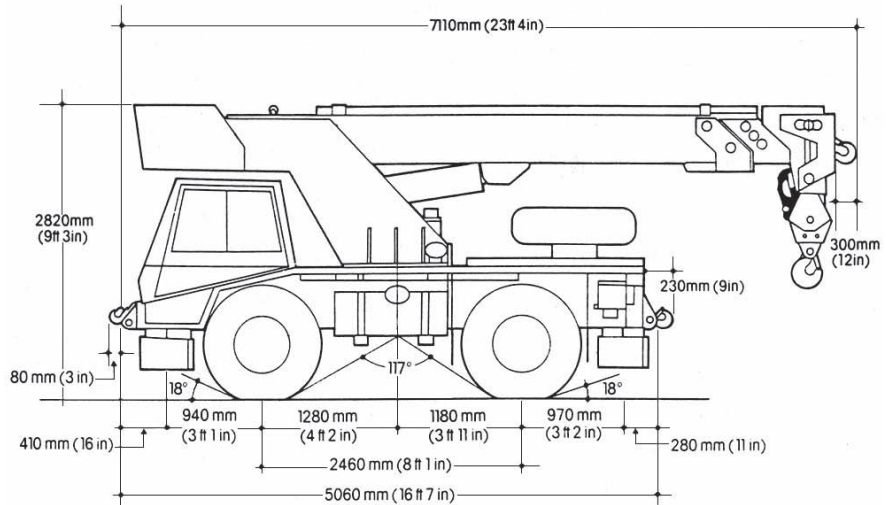
City & Low
Headroom Cranes

AINSCOUGH CRANE HIRE LIMITED

Grove AP415

Low Headroom

Dimensions



Load Reductions

Boom Length (m)	12	10	7.6	5.1	2.6
Weight (t)	0.18	0.18	0.18	0.18	0.1

Hookblock

Capacity (t)	12	2.6
Weight (t)	0.18	0.1

The charts that have been included have been reproduced from manufacturer specifications, and while every effort has been made to ensure their accuracy, we do not accept any responsibility for errors or omissions. We also need to draw your attention to the guidance notes on page 47 to assist you with your crane selection.

CL4

Outriggers Full Extended 360° Slew

Radius (m)	Main Boom (m)		
	5.5	9	12.5
2.5	12		
2.75	12	10.25	
3	12	9.75	
3.5	10.2	9.35	
4		8.75	
4.5		8.35	5.1
5		7.1	4.8
6		5.15	4.3
7		3.9	3.85
8			3.15
9			2.55
10			2.1
10.5			1.95

Radius (m)	12.5m Main Boom + 5m Swingaway	
	Offset	Jib
	0°	10°
7	2.45	
8	2.2	1.9
9	2.1	1.8
10	1.95	1.7
12	1.6	1.5
14	1.25	1.2
15.5	1.05	0.9

Free on Wheels

Radius (m)	Main Boom (m)			
	360° Slew		Over Front	
	9	12.5	9	12.5
2.5	8		8.45	
2.75	7.15		7.8	
3	6.55		7.25	
3.5	5.6		6.3	
4	4.65		5.65	
4.5	3.85	3.85	5	4.65
5	3.2	3.2	4.35	4.35
6	2.35	2.35	3.2	3.2
7	1.75	1.75	2.45	2.45
8		1.4		1.95
9		1.1		1.55
10		0.85		1.25
10.5		0.75		1.15

Radius (m)	12.5m Main Boom + 5m Swingaway			
	360° Slew		Over Front	
	Offset		Offset	
	0°	10°	0°	10°
7	2.1		2.45	
8	1.65	1.7	2.2	1.8
9	1.35	1.4	1.8	1.65
10	1.1	1.15	1.5	1.5
12	0.75	0.75	1.05	1.15
14	0.5	0.5	0.75	0.85
15.5			0.6	0.65

Searcher Hook Lifting Capacities (Tonnes)

5.50m to 9.00m Boom		
Free on wheels		
Radius (m)	360° Slew (2KPH)	5° Over Front (5KPH)
3.5	4	4
4	4	4
4.5	3.7	4
5	3.25	4
6	2.5	3.2
7	1.9	2.45
7.55	1.45	1.7
These capacities are in accordance with BB 1757 (1988) clause 9 stability		
When a hookblock is fitted to the main boom head the searcher hook duties must be reduced by the weight of that		

The charts that have been included have been reproduced from manufacturer specifications, and while every effort has been made to ensure their accuracy, we do not accept any responsibility for errors or omissions. We also need to draw your attention to the guidance notes on page 47 to assist you with your crane selection.

