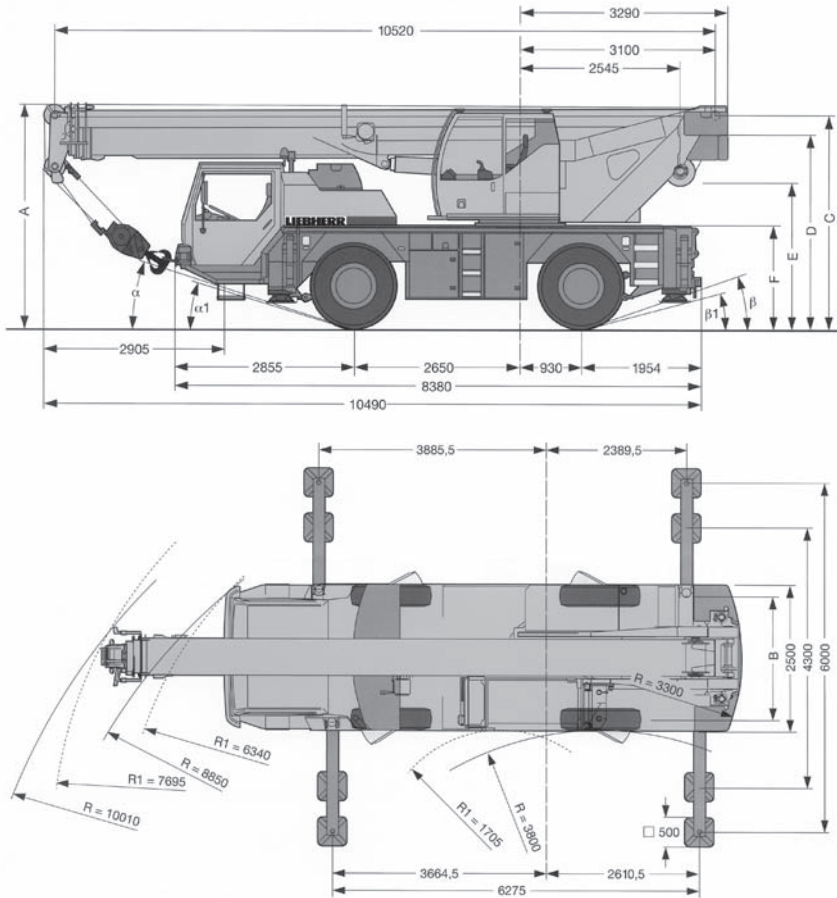


Liebherr LTM 1040-2.1

Dimensions



40
Tonne

All Terrain
Cranes

Tyre Width	Dimensions (mm)										
	A	*A 100mm	B	C	D	E	F	α	α'	β'	β
14.00 R25	3550	3450	2094	3369	3079	2304	1598	18°	17°	15°	19°
16.00 R25	3600	3500	2054	3419	3129	2354	1648	20°	19°	17°	21°

* lowered

Hookblock

Capacity (t)	35	22.4	10	3.3
Weight (t)	0.27	0.17	0.15	0.08

(Does not have Fly Jib stowed on main boom)

The charts that have been included have been reproduced from manufacturer specifications, and while every effort has been made to ensure their accuracy, we do not accept any responsibility for errors or omissions. We also need to draw your attention to the guidance notes on page 47 to assist you with your crane selection.

Liebherr LTM 1040-2.1

Load Capacities on the Telescopic Boom

Radius (m)	6.5t Counterweight								Radius (m)
	10.5m*	10.5m	15.4m	20.3m	25.2m	30.1m	32.6m	35.0m	
2.7	40								2.7
3	35	30.5							3
3.5	32.5	27.7		17.6					3.5
4	29.1	25.2	20.6	17.9	15				4
4.5	26.1	23.1	21.1	18.3	14.7	10.6			4.5
5	23.6	21.3	21.4	19.2	14.2	10.4	8.8		5
6	19.1	18	18.2	16.9	13.2	10	8.6	7.2	6
7	15	14.9	15	13.9	12.2	9.4	8.3	7	7
8			12.3	11.7	11	8.8	8	6.7	8
9			10.1	10	9.5	8.2	7.6	6.4	9
10			8.5	8.6	8.3	7.8	7.2	6.1	10
11			7.2	7.4	7.3	7	6.8	5.8	11
12			6.3	6.4	6.5	6.2	6.1	5.6	12
13				5.6	5.7	5.6	5.5	5.4	13
14				5	5.1	5	5	4.9	14
15				4.4	4.5	4.6	4.5	4.4	15
16				4	4	4.1	4.1	4	16
17				3.6	3.6	3.7	3.7	3.7	17
18					3.3	3.3	3.4	3.3	18
19					3	3	3.1	3.1	19
20					2.7	2.8	2.8	2.8	20
21					2.5	2.5	2.5	2.5	21
22					2.2	2.3	2.3	2.3	22
23						2.1	2.1	2.1	23
24						1.9	1.9	1.9	24
25						1.7	1.7	1.7	25
26						1.5	1.5	1.6	26
27							1.4	1.4	27
28							1.3	1.3	28
29							1.1	1.1	29
30								1	30
31								0.9	31

* Over rear

40
Tonne

All Terrain
Cranes

The charts that have been included have been reproduced from manufacturer specifications, and while every effort has been made to ensure their accuracy, we do not accept any responsibility for errors or omissions. We also need to draw your attention to the guidance notes on page 47 to assist you with your crane selection.