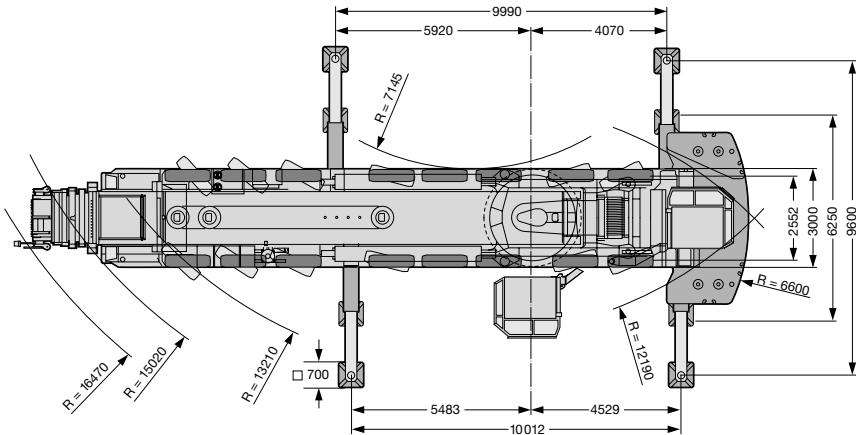
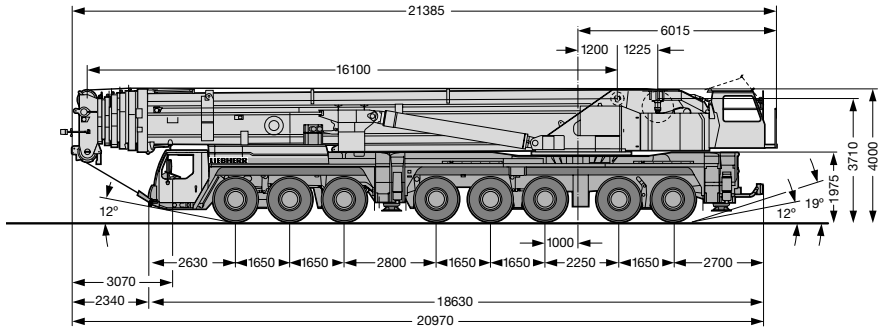


Liebherr LTM 1500-8.1

Dimensions



500
Tonne

Heavy Cranes

Hookblock

Capacity (t)	274.1	247.7	171.1	84.7	37.4	12.5
Weight (t)	6.1	3.7	2.7	2.6	1.4	0.7

The charts that have been included have been reproduced from manufacturer specifications, and while every effort has been made to ensure their accuracy, we do not accept any responsibility for errors or omissions. We also need to draw your attention to the guidance notes on page 47 to assist you with your crane selection.

Liebherr LTM 1500-8.1

Lifting Capacities on Guyed Telescopic Boom

		165t Counterweight										
Main Boom (m)	31.7	36.9	42.1	47.3	52.5	57.7	62.9	68.1	73.4	78.6	84	
Radius (m)												
5	204											
6	198	167										
7	190	162	127									
8	170	157	123	121								
9	154	147	119	117	111							
10	140	135	115	113	107	96						
12	120	114	108	105	101	91	81					
14	103	104	96	96	91	86	77	70	62			
16	93	93	86	86	83	79	74	66	59	52	44	
18	83	83	82	79	75	73	69	63	57	49.5	42	
20	73	74	74	73	70	67	65	59	54	47.5	40.5	
22	65	67	67	66	66	61	60	55	52	45.5	38.5	
24	59	60	60	61	60	57	55	52	49	44	36.5	
26	53	55	54	55	54	53	51	49.5	45.5	42	35	
28	47.5	49.5	49	50	48.5	50	47	46.5	42	40	33.5	
30	36.5	45	44.5	46	44.5	45.5	43	43	39	38.5	32	
32		41	40.5	42	40.5	41.5	38.5	40	36.5	36	30.5	
34		36.5	37	38.5	37	38	36	37	33.5	33.5	29.4	
36			34	35.5	34	35	33	34	30.5	31	28.1	
38			31.5	32.5	31	32	30.5	31.5	28.3	28.7	26.9	
40			24.6	30	28.7	29.7	27.8	28.8	26	26.5	25.8	
42				27.9	26.4	27.5	25.6	26.6	24	24.6	24.2	
44				24.7	24.4	25.4	23.5	24.5	22	22.8	22.5	
46				15.2	22.5	23.5	21.7	22.6	20.1	21.1	20.8	
48					20.8	21.8	20	20.9	18.4	19.4	19.3	
50					16	20.3	18.4	19.4	16.8	17.8	17.9	
52						18.9	16.9	17.9	15.4	16.4	16.6	
54						16.2	15.6	16.6	14.1	15.1	15.2	
56						10.8	14.4	15.3	12.8	13.8	14	
58							12.6	14.2	11.7	12.7	12.8	
60							9.3	13.1	10.6	11.6	11.8	
62								12.1	9.6	10.6	10.8	
64								9.7	8.7	9.6	9.8	
66									7.8	8.7	8.9	
68									5.9	7.9	8.1	
70										7	7.3	
72										5.9	6.6	
74										4.1	5.8	
76											5	
78											3.8	

For reduced counterweight duties contact Ainscough Heavy Crane Division

TAB 233012

The charts that have been included have been reproduced from manufacturer specifications, and while every effort has been made to ensure their accuracy, we do not accept any responsibility for errors or omissions. We also need to draw your attention to the guidance notes on page 47 to assist you with your crane selection.

Liebherr LTM 1500-8.1

Lifting Capacities on Guyed Telescopic Boom with Lattice Jib and Eccentric

Main Boom & Adapter (m)		165t Counterweight																	
		68.1 + 2.2																	
		6			14			21			28			35			42		49
Lattice Jib (m)	6			14			21			28			35			42		49	56
Offset	0°	20°	40°	0°	20°	40°	0°	20°	40°	0°	20°	40°	0°	20°	40°	0°	20°	0°	0°
Radius (m)																			
16	60																		
18	56	55		48.5															
20	52	52	39.5	46				38.5				29.3							
22	47.5	48.5	38.5	43.5				37				28.1			22.6				
24	43.5	44.5	37.5	40.5	36.5			35				27			21.7		17.2		
26	40	40.5	37	38.5	35.5	24.4	33.5	24.7				26			20.8		16.4		12.9
28	37	37.5	36.5	35.5	34.5	24	31.5	24.4				24.9			20		15.8	12.4	10.5
30	34	34.5	35	33	33	23.7	30	23.7	14.5	24	16.3				19.2		15.2	11.9	10.1
32	31.5	32	32.5	30.5	31.5	23.3	28.4	23.1	15.1	23.2	16.4				18.5		14.6	11.4	9.7
34	28.2	29.8	30.5	28.2	29.4	23.4	26.9	22.5	15.1	22.4	16.2				17.9	12.5	14	10.9	9.3
36	25.5	27.1	28.1	26.2	27.4	22.8	25.5	21.9	14.9	21.6	16	8.9	17.2	12.5		13.5		10.5	8.9
38	23.2	24.6	25.7	24.3	25.5	22.6	23.7	21.4	14.6	20.8	15.7	9.2	16.6	12.5		13.1	9.7	10.1	8.5
40	20.9	22.1	23.3	22.3	23.8	22.4	22.2	20.9	14.4	20	15.3	9.4	16.1	12.4		12.6	9.6	9.8	8.2
42	18.6	19.6	20.8	20.4	22.2	22.2	20.5	20.4	14.2	19.2	14.9	9.6	15.6	12.1	6.5	12.1	9.3	9.4	7.9
44	16.6	17.8	18.7	18.6	20.6	21.6	18.8	20	14.1	18.4	14.5	9.6	15.1	11.8	6.7	11.8	9.1	9	7.6
46	15	16	16.7	17	18.6	19.8	17.3	19.4	13.9	17.4	14.2	9.4	14.7	11.5	6.8	11.4	8.8	8.7	7.3
48	13.3	14.1	14.8	15.4	16.9	18.1	15.8	18	13.7	16	13.9	9.2	14.2	11.2	6.8	11	8.5	8.4	7
50	11.7	12.3	13	14	15.4	16.5	14.4	16.5	13.6	14.7	13.6	9.1	13.7	10.9	6.7	10.7	8.3	8.2	6.7
52	10.1	10.9	11.5	12.7	14	15	13.2	15.1	13.5	13.4	13.3	9	13.1	10.7	6.6	10.3	8.1	7.9	6.5
54	8.8	9.5		11.4	12.7	13.5	12	13.8	13.4	12.3	13	8.9	12.4	10.4	6.5	9.9	7.8	7.6	6.3
56	7.6	8.1		10	11.4	12.1	10.9	12.6	13.2	11.2	12.6	8.7	11.4	10.2	6.4	9.5	7.6	7.3	6
58	6.3	6.7		8.6	10.2	10.8	9.8	11.5	12.7	10.2	12.3	8.6	10.4	9.9	6.3	9	7.4	7.1	5.8
60	5.1	5.6		7.5	9	9.6	8.6	10.4	11.4	9.2	11.3	8.5	9.5	9.7	6.2	8.6	7.2	6.9	5.6
62	3.9	4.4		6.4	7.9		7.4	9.3	10.2	8.3	10.3	8.5	8.6	9.5	6.1	8.2	7	6.7	5.3
64	2.9	3.3		5.4	6.7		6.3	8.2	9.7	7.5	9.4	8.4	7.7	9.3	6	7.8	6.8	6.4	5.2
66	1.9	2.1		4.3	5.6		5.3	7.2	8	6.6	8.4	8.2	7	9.1	5.9	7	6.6	6.2	5
68				3.2	4.5		4.4	6.3	7	5.7	7.5	7.8	6.2	8.3	5.8	6.3	6.4	6	4.8
70				2.5	3.4		3.5	5.5		4.8	6.6	7.3	5.5	7.5	5.8	5.6	6.3	5.8	4.6
72				1.8	2.5		2.6	4.4		4	5.7	6.7	4.8	6.7	5.7	4.9	6.1	5.2	4.5
74					1.6		1.6	3.4		3.2	4.9	5.8	4.2	5.9	5.6	4.3	5.9	4.6	4.3
76								2.4		2.4	4.3		3.6	5.1	5.6	3.7	5.7	4	3.9
78								1.7		1.5	3.5		2.9	4.5	5.5	3.2	5	3.4	3.4
80											2.6		2.2	3.9	4.7	2.6	4.5	2.9	2.8
82											1.6			3.3	4.7	2.1	3.9	2.4	2.3
84														2.7		1.6	3.3	1.9	1.9
86														2			2.7	1.4	1.4
88																	2.2		
90																	1.6		

For reduced counterweight duties contact Ainscough Heavy Crane Division

TAB 232103/232112/232121



500
Tonne
Heavy Cranes

Liebherr LTM 1500-8.1

Lifting Capacities on Guyed Telescopic Boom with Lattice Jib and Eccentric

		165t Counterweight																
Main Boom & Adapter (m)		78.6 + 2.2																
Lattice Jib (m)	6			14			21			28			35			42		
Offset	0°	20°	40°	0°	20°	40°	0°	20°	40°	0°	20°	40°	0°	20°	40°	0°	20°	
Radius (m)																		
20	35																	
22	33	31.5	30.5	27.7														
24	31.5	30	29	26.4				22										
26	29.6	28.7	27.8	25.3	22.8			21				17						
28	27.6	27.4	26.7	24.1	21.9			20.1				16.3			13.8		12.5	
30	25.6	25.9	25.7	23.1	21.1	19.2	19.3	16.9				15.6			13.2		12.3	
32	23.5	24.5	24.4	22.2	20.3	19	18.5	16.5				15			12.7		11.8	
34	22	22.9	23	21.3	19.5	18.5	17.7	16	11.7	14.3	10.5			12.1			11.3	
36	20.4	21.3	21.6	20.3	18.9	18	17	15.4	11.7	13.7	10.4			11.6			10.9	
38	18.9	19.6	20.2	19.3	18.2	17.5	16.3	14.8	11.7	13.2	10.2			11.1	8.1		10.4	
40	17.4	18	18.7	18.3	17.5	16.9	15.7	14.4	11.8	12.7	10.1	6.8	10.7	7.9			10	
42	16.1	16.8	17.2	17.3	17	16.4	15.1	13.9	11.8	12.1	9.9	6.8	10.3	7.8			9.6	6.7
44	15	15.5	15.9	16.2	16.4	15.9	14.6	13.4	11.8	11.7	9.8	6.8	9.8	7.6			9.3	6.5
46	13.9	14.3	14.7	15.2	15.9	15.4	14	12.9	11.8	11.3	9.6	6.8	9.4	7.5	4.7		8.9	6.4
48	12.78	13.1	13.5	14.2	15.3	14.9	13.4	12.5	11.8	10.8	9.5	6.8	9.1	7.4	4.7		8.5	6.3
50	11.6	11.9	12.3	13.2	14.6	14.5	12.8	12.1	11.6	10.4	9.4	6.8	8.7	7.3	4.7		8.2	6.1
52	10.5	10.8	11.2	12.2	13.6	13.8	12	11.8	11.2	10	9.1	6.9	8.4	7.2	4.8		7.9	6
54	9.3	9.6	10	11.2	12.6	13	11.2	11.4	10.9	9.6	8.8	6.9	8.1	7.1	4.8		7.6	5.9
56	8.1	8.5	8.9	10.2	11.6	12.1	10.3	10.8	10.6	8.9	8.5	6.9	7.7	6.9	4.8		7.3	5.8
58	7	7.3	7.7	9.1	10.7	11.3	9.5	10.3	10.3	8.2	8.2	6.9	7.4	6.8	4.8		7	5.7
60	5.8	6.3	6.5	8	9.6	10.4	8.7	9.7	9.8	7.5	8	6.9	6.9	6.6	4.8		6.7	5.6
62	4.8	5.2		6.9	8.4	9.2	7.7	9.4	9.4	6.8	7.6	6.9	6.5	6.4	4.8		6.5	5.5
64	3.9	4.2		5.8	7.3	8	6.8	8.5	9	6.2	7.1	6.8	6	6.2	4.9		6.2	5.4
66	3	3.1		4.7	6.1	6.8	5.8	7.7	8.5	5.5	6.7	6.6	5.5	6.1	4.9		6	5.3
68	2.1	2.2		3.8	5	5.6	4.9	6.7	7.7	4.7	6.2	6.4	5.4	5.8	4.9		5.8	5.2
70				3.1	4		3.9	5.7	6.7	4	5.8	6.1	4.6	5.5	4.9		5.5	5.1
72				2.3	3.1		3	4.8	5.6	3.3	5.2	5.9	3.9	5.3	4.8		5	5
74					2.2		2.5	3.8	4.6	2.5	4.4	5.4	3.2	5	4.7		4.4	4.8
76							2	3		1.8	3.6	4.6	2.5	4.7	4.6		3.8	4.6
78								2.4			2.9	3.8	1.9	4.3	4.4		3.3	4.5
80								1.8			2.1	3		3.6	4.3		2.8	4.3
82												2.2		2.9	3.7		2.3	4.1
84														2.3	3		1.5	3.6
86														1.6	2.4			3
88															1.8			2.5
90																		1.8

For reduced counterweight duties contact Ainscough Heavy Crane Division

TAB 232103/232112/232121

The charts that have been included have been reproduced from manufacturer specifications, and while every effort has been made to ensure their accuracy, we do not accept any responsibility for errors or omissions. We also need to draw your attention to the guidance notes on page 47 to assist you with your crane selection.

Liebherr LTM 1500-8.1

Lifting Capacities on the Luffing Lattice Jib 83°

		135t Counterweight																					
Main Boom and adapter (m)	16.1 + 4										26.5 + 4												
	Lattice Jib (m)	21	28	35	42	49	56	63	70	77	84	91	21	28	35	42	49	56	63	70	77	84	91
Radius (m)																							
12	72																						
14	65	62											74										
16	58	56	55										67	65									
18	55	52	50	48									64	59	56								
20	53	47.5	46	44.5	42								64	55	52	48.5							
22	53	47	43	41	39	36							63	52	49	46	41.5						
24	53	47	40	38.5	36.5	34	31						63	50	46	43.5	39.5	34.5					
26		47	39	36	34	32	29.3	26.3						49	43	41.5	37.5	33.5	29.1				
28		47	38.5	34.5	32	30	27.8	25	22.8					48	42.5	39	36	32	28.1	24.3			
30		47	38	33	30	28.5	26.4	23.8	21.7					48	42	37.5	34.5	31	27.2	23.7	20.5		
32			37.5	32.5	28.6	27	25	22.7	20.8		17.6			48	42	36.5	33	29.7	26.4	23	20	16.9	
34			37	32.5	28	25.6	23.8	21.7	19.9	16.9	14.8				41.5	36.5	31.5	28.7	25.6	22.4	19.6	16.3	13.9
36			37	32.5	28	24.3	22.6	20.7	19	16.3	14.3			41	36	30.5	27.8	24.7	21.8	19.1	15.8	13.6	
38			29.4	32.5	28	23.5	21.5	19.8	18.2	15.7	13.8			39	36	30.5	26.9	23.9	21.3	18.7	15.3	13.2	
40				32.5	28	23.2	20.5	18.9	17.5	15.1	13.3				35.5	30.5	26.1	23.2	20.6	18.4	14.8	12.8	
42				31.5	28	22.9	19.9	18.1	16.8	14.6	12.9				34.5	30	25.4	22.5	20	17.9	14.3	12.5	
44				25.7	28	22.6	19.7	17.3	16.2	14.1	12.4				32	29.9	25.4	21.8	19.4	17.4	13.9	12.1	
46					28	22.4	19.6	16.6	15.5	13.7	12				25.9	29.8	25.4	21.5	18.9	16.9	13.5	11.8	
48					26.7	22.1	19.4	16	14.9	13.3	11.6					28.7	25.4	21.5	18.3	16.5	13.1	11.5	
50					22.3	21.8	19.3	15.7	14.4	12.9	11.2					27.3	25.4	21.5	18	16.1	12.7	11.2	
52					17.7	21.8	19.2	15.3	13.9	12.6	10.9					23.7	25.4	21.5	17.6	15.7	12.4	10.9	
54						21.8	19	15	13.8	12.2	10.5						24.3	21.5	17.3	15.3	12	10.7	
56						18.7	18.9	14.7	13.7	11.8	10.2						23.2	21.5	17	15.3	11.7	10.4	
58						15.6	18.8	14.6	13.6	11.4	9.9						19.5	21.5	16.7	15.3	11.5	10.2	
60							18.7	14.6	13.5	11.3	9.6					15.9	20.7	16.3	15.3	11.3	10		
62							15.9	14.6	13.4	11.1	9.6							19.8	16	15.3	11.1	9.9	
64							13.2	14.6	13.3	10.9	9.6						17.6	15.8	15.1	10.9	9.7		
66							10.6	14.6	13.2	10.7	9.6						14.8	15.5	14.9	10.7	9.5		
68								13.8	13.1	10.5	9.4								15.2	14.6	10.5	9.4	
70								11.5	13.1	10.3	9.3								14.8	14.4	10.3	9.2	
72								9.3	13.1	10.1	9.1								12.3	14.2	10.1	9.1	
74									11.5	9.9	9								9.8	14	9.9	8.9	
76									9.7	9.7	8.8									13.3	9.8	8.8	
78									8	9.5	8.7									11.3	9.6	8.6	
80									6.3	9.3	8.5									9.4	9.4	8.5	
82										9	8.4										9.3	8.4	
84										7.3	8.2										9.1	8.2	
86										5.6	8.1										8.4	8.1	
88											7.1										6.1	8	
90												5.8										7.9	
92												4.5										6.7	
94												3.2										5.3	

For reduced counterweight duties contact Ainscough Heavy Crane Division

TAB 231124

The charts that have been included have been reproduced from manufacturer specifications, and while every effort has been made to ensure their accuracy, we do not accept any responsibility for errors or omissions. We also need to draw your attention to the guidance notes on page 47 to assist you with your crane selection.

500
Tonne

Heavy Cranes

Liebherr LTM 1500-8.1

Lifting Capacities on the Luffing Lattice Fly Jib 83° with Guyed Telescopic Boom and Spacer

		165t Counterweight																															
Main Boom and adapter (m)	Fly Jib (m)	36.9 + 4									47.3 + 4																						
		21	28	35	42	49	56	63	70	77	84	91	21	28	35	42	49	56	63	70	77	84	91										
Radius (m)																																	
16	82																																
18	76	74											75																				
20	71	69	67										68	67																			
22	66	64	63	62									62	62	61																		
24	61	60	59	58	55								58	57	57	53																	
26	55	56	56	55	52	42							54	53	53	51	46.5																
28		53	52	52	49.5	41	35.5						52	49.5	49	48.5	44.5	37.5															
30		49.5	49.5	49	47	40	35.5	26.7						46.5	45.5	45.5	43	37	31.5														
32		45.5	46.5	45.5	44.5	39	35	25.8	23.6					44	43	42.5	41.5	36.5	31														
34			43.5	42.5	42	38	34.5	24.9	23.1					41.5	40.5	40	39.5	36	30.5	24.2													
36			40.5	40	39.5	37	33.5	24.1	22.4	17.2					38.5	37.5	37	34.5	30	23.4	20.6												
38				38.5	37.5	37	36	33	23.3	21.8	16.6	14.1				36	35.5	35	33.5	29.8	22.7	20.4	16.3										
40					35	35.5	35	34.5	32.5	22.5	21.1	16.1	13.7			34	33.5	33	32	29	22	20.4	15.8	13									
42						33.5	33	32.5	32	21.8	20.5	15.6	13.3			32	31.5	31	30	27.7	21.4	20.3	15.3	12.9									
44							31.5	31	30.5	30.5	21.1	20	15.1	13			29.9	29.4	28.7	26.4	20.8	20	14.8	12.5									
46								29.7	29.5	29.1	28.8	20.5	19.5	14.6	12.6			28.3	27.8	27.4	25.1	20.3	19.4	14.4	12.2								
48									28.1	27.6	27.3	19.8	18.9	14.2	12.3			26.9	26.4	26	23.9	19.7	18.9	14	11.9								
50										26.7	26.2	26	19.3	18.4	13.7	12			25.1	24.7	22.9	19.2	18.4	13.6	11.6								
52											25.4	25	24.7	18.8	18	13.3	11.7			23.9	23.5	21.9	18.7	17.9	13.2	11.3							
54												22.3	23.8	23.5	18.3	17.5	12.9	11.4			22.8	22.4	21.1	18.3	17.4	12.8	11.1						
56																					21.7	21.3	20.2	17.8	17	12.5	10.8						
58																						20.4	19.5	17.4	16.5	12.1	10.6						
60																							19.5	18.7	16.8	15.8	11.8	10.3					
62																								18.6	18	16.2	15.2	11.5	10.1				
64																									17.3	15.5	14.6	11.2	9.9				
66																										16.6	14.9	14	11	9.7			
68																											15.9	14.4	13.5	10.7	9.5		
70																												15.1	13.9	12.9	10.5	9.3	
72																													13.5	12.4	10.3	9	
74																														13.3	12	10.1	8.6
76																														13	11.6	9.8	8.2
78																															11.3	9.6	7.8
80																															11.1	9.4	7.4
82																															10.8	9.1	7.1
84																															10.2	8.8	6.7
86																																8.6	6.4
88																																8.4	6.1
90																																8.3	5.9
92																																	5.7
94																																	5.4
96																																	5.4
98																																	5.3

For reduced counterweight duties contact Ainscough Heavy Crane Division

TAB 231373

The charts that have been included have been reproduced from manufacturer specifications, and while every effort has been made to ensure their accuracy, we do not accept any responsibility for errors or omissions. We also need to draw your attention to the guidance notes on page 47 to assist you with your crane selection.

Liebherr LTM 1500-8.1

Lifting Capacities on the Luffing Lattice Fly Jib 67° with Guyed Telescopic Boom and Spacer

165t Counterweight																												
Main Boom and adapter (m)	36.9 + 4										47.3 + 4																	
	Fly Jib (m)	21	28	35	42	49	56	63	70	77	84	91	21	28	35	42	49	56	63	70	77	84	91					
Radius (m)																												
32	35																											
34	33.5																											
36	31.5	30.5																										
38		28.9											27															
40		27.2	26.4										25.4															
42		25.6	24.9										23.9	23.1														
44		24.2	23.5	22.8									21.8															
46			22.3	21.5									20.6	19.6														
48			21.1	20.4	19.7								19.4	18.5														
50			20	19.3	18.7								18.4	17.5	16.9													
52				18.4	17.7	17.2							16.6	16														
54				17.5	16.8	16.3							15.7	15.1	14.5													
56				16.6	16	15.5	15						14.9	14.3	13.7													
58				15.9	15.2	14.7	14.3						13.6	13	12.5													
60					14.5	14	13.6	13					12.9	12.3	11.8													
62					13.8	13.3	12.9	12.3					11.7	11.1	10.6	9.9												
64					13.2	12.7	12.3	11.7	11.3					10.5	10	9.4												
66					12.1	11.7	11.1	10.7						10	9.5	8.9	8.5											
68					11.5	11.1	10.5	10.1	9.6					9.5	9	8.4	8.1											
70					11	10.6	10	9.6	9						8.6	7.9	7.6	6.9										
72					10.5	10.1	9.5	9.1	8.6	8					8.1	7.5	7.2	6.5										
74						9.7	9.1	8.6	8.1	7.5					7.7	7.1	6.8	6.1	5.5									
76						9.2	8.6	8.2	7.7	7.1					7.4	6.8	6.4	5.7	5.1									
78							8.8	8.2	7.8	7.3	6.7					6.4	6	5.4	4.9	4								
80								7.8	7.4	6.9	6.3					6.1	5.7	5.1	4.6	3.7								
82									7.5	7	6.5	5.9					5.8	5.4	4.8	4.4	3.5							
84										7.1	6.7	6.1	5.6					5.1	4.6	4.1	3.3							
86											6.8	6.3	5.8	5.3					4.9	4.4	3.9	3						
88												6	5.5	5					4.6	4.1	3.7	2.8						
90													5.7	5.2	4.7				4.4	3.9	3.5	2.6						
92														5.4	4.9	4.5					3.7	3.3	2.4					
94															4.7	4.3						3.6	3.1	2.2				
96																4.5	4.1						3.4	3	2.1			
98																	4.3	3.9						2.8	1.9			
100																		4.1	3.7						2.6	1.8		
104																										2.3	1.5	
108																												1.2

For reduced counterweight duties contact Ainscough Heavy Crane Division

TAB 231393

The charts that have been included have been reproduced from manufacturer specifications, and while every effort has been made to ensure their accuracy, we do not accept any responsibility for errors or omissions. We also need to draw your attention to the guidance notes on page 47 to assist you with your crane selection.

Liebherr LTM 1500-8.1

Lifting Capacities on the Luffing Lattice Fly Jib 67° with Guyed Telescopic Boom and Spacer

165t Counterweight																		
Main Boom and adapter (m)	57.7 + 4							68.2 + 4					78.6 + 4					
Fly Jib (m)	21	28	35	42	49	56	63	70	77	21	28	35	42	49	21	28	35	
Radius (m)																		
42	19.8																	
44	18.6																	
46		16.7								15								
48		15.7								14.2								
50		14.9	14.2							10.6								
52		14.1	13.4							10.1				8.2				
54			12.7	11.9						9.5				7.7				
56			12	11.3						9	7.8						4.3	
58			11.4	10.7	10.1						7.3						4.1	
60				10.1	9.5						6.9	5.5					3.8	1.9
62				9.6	9	8.1					6.5	5.1						1.8
64				9.1	8.5	7.6						4.8	3.7					1.6
66				8.6	8	7.1	5.1					4.5	3.5					1.5
68					7.6	6.7	4.8					4.3	3.3					1.3
70					7.2	6.3	4.5	2.7				4	3.1					
72					6.8	5.9	4.2	2.5						2.9				
74						5.6	3.9	2.3	1.3					2.7				
76						5.2	3.7	2.1	1.1					2.5				
78						4.9	3.5	1.9	1									
80						4.7	3.3	1.8										
82							3.1	1.6										
84							2.9	1.4										
86							2.7	1.3										
88								1.1										

For reduced counterweight duties contact Ainscough Heavy Crane Division

TAB 231393



500
Tonne
Heavy Cranes



The charts that have been included have been reproduced from manufacturer specifications, and while every effort has been made to ensure their accuracy, we do not accept any responsibility for errors or omissions. We also need to draw your attention to the guidance notes on page 47 to assist you with your crane selection.