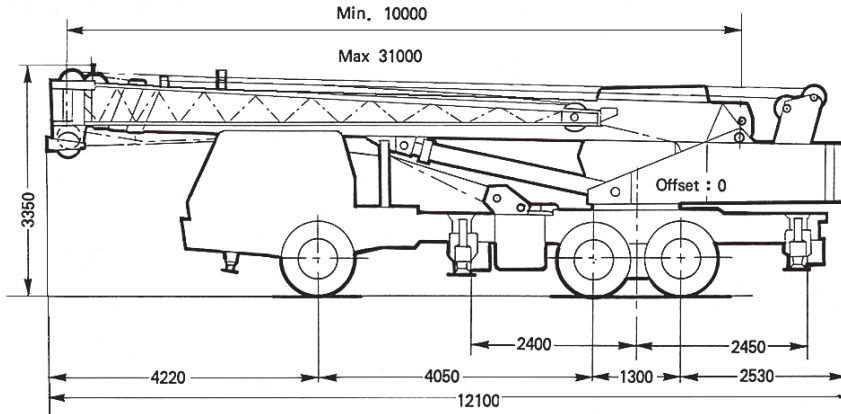


# Tadano TL-250E

## Dimensions

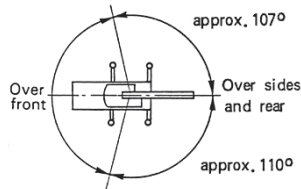


Overall Width . . . . . 2,500mm  
 Tail swing radius . . . . . 3,250mm  
 Outriggers extended fully . . . . . 6,100mm

Tread (track) - Front . . . . . 2,040mm  
 - Rear . . . . . 1,845mm

## Fly Jib Duties

Outriggers fully extended			
Front jack extended (360°)			
Front jack not extended (Over sides and rear)			
E	C	D	
		5°	30°
80°	2,750	1,350	
75°	2,750	1,350	
70°	2,300	1,300	
65°	2,000	1,250	
60°	1,600	1,200	
55°	1,300	1,000	
50°	950	850	
45°	650	600	
40°	400	350	
35°	250		



- A: Boom Length
- B: Working radius
- C: Jib Length
- D: Jib Offset
- E: Boom angle

## Hookblock

Capacity (t)	25	3
Weight (t)	0.28	0.06

The charts that have been included have been reproduced from manufacturer specifications, and while every effort has been made to ensure their accuracy, we do not accept any responsibility for errors or omissions. We also need to draw your attention to the guidance notes on page 47 to assist you with your crane selection.

**25**  
Tonne

Truck Mounted  
Cranes

# Tadano TL-250E

## Main Boom Duties

**25**  
Tonne

Truck Mounted  
Cranes

Outriggers fully extended							
Front jack extended (360°) Front jack not extended (Over sides and rear)							
B \ A	10.0m	13.5m	17.0m	20.5m	24.0m	27.5m	31.0m
3.0m	25,000	17,500	14,500	9,500			
3.5m	20,600	17,500	14,500	9,500			
4.0m	18,000	17,500	14,500	9,500	7,500	6,500	
4.5m	16,300	15,800	14,500	9,500	7,500	6,500	
5.0m	14,850	14,400	13,250	9,500	7,500	6,500	6,000
5.5m	13,650	13,250	12,200	9,500	7,500	6,500	6,000
6.0m	12,300	12,200	11,300	9,500	7,500	6,500	6,000
6.5m	11,200	11,000	10,500	9,500	7,500	6,500	6,000
7.0m	10,250	10,000	9,800	8,850	7,500	6,500	6,000
7.5m	9,400	9,200	9,100	8,350	7,500	6,500	6,000
8.0m	8,650	8,450	8,350	7,900	7,050	6,200	5,650
9.0m		7,200	7,100	7,000	6,350	5,600	5,050
10.0m		6,100	6,050	6,400	5,750	5,100	4,600
12.0m			4,150	4,500	4,700	4,300	3,900
14.0m			3,000	3,300	3,500	3,650	3,350
16.0m				2,450	2,650	2,800	2,850
18.0m				1,800	2,000	2,150	2,300
20.0m					1,500	1,650	1,800
22.0m					1,100	1,250	1,400
24.0m						950	1,050
26.0m							800
28.0m							550
29.0m							450

Outriggers fully extended							
Front jack not extended (Over front)							
B \ A	10.0m	13.5m	17.0m	20.5m	24.0m	27.5m	31.0m
3.0m	20,000	17,500	14,500	9,500			
3.5m	17,800	17,500	14,500	9,500			
4.0m	15,700	15,400	14,500	9,500	7,500	6,500	
4.5m	13,800	13,600	13,200	9,500	7,500	6,500	
5.0m	10,700	10,500	10,300	9,500	7,500	6,500	6,000
6.0m	7,100	6,900	6,700	7,200	7,200	6,500	6,000
7.0m	5,000	4,900	4,700	5,200	5,300	5,300	5,200
8.0m	3,800	3,700	3,500	3,900	4,100	4,100	4,050
9.0m		2,700	2,600	2,900	3,100	3,200	3,250
10.0m		2,100	2,000	2,300	2,500	2,650	2,650
12.0m			1,000	1,300	1,500	1,650	1,700
14.0m			400	700	900	1,050	1,100
16.0m					450	550	650

The charts that have been included have been reproduced from manufacturer specifications, and while every effort has been made to ensure their accuracy, we do not accept any responsibility for errors or omissions. We also need to draw your attention to the guidance notes on page 47 to assist you with your crane selection.