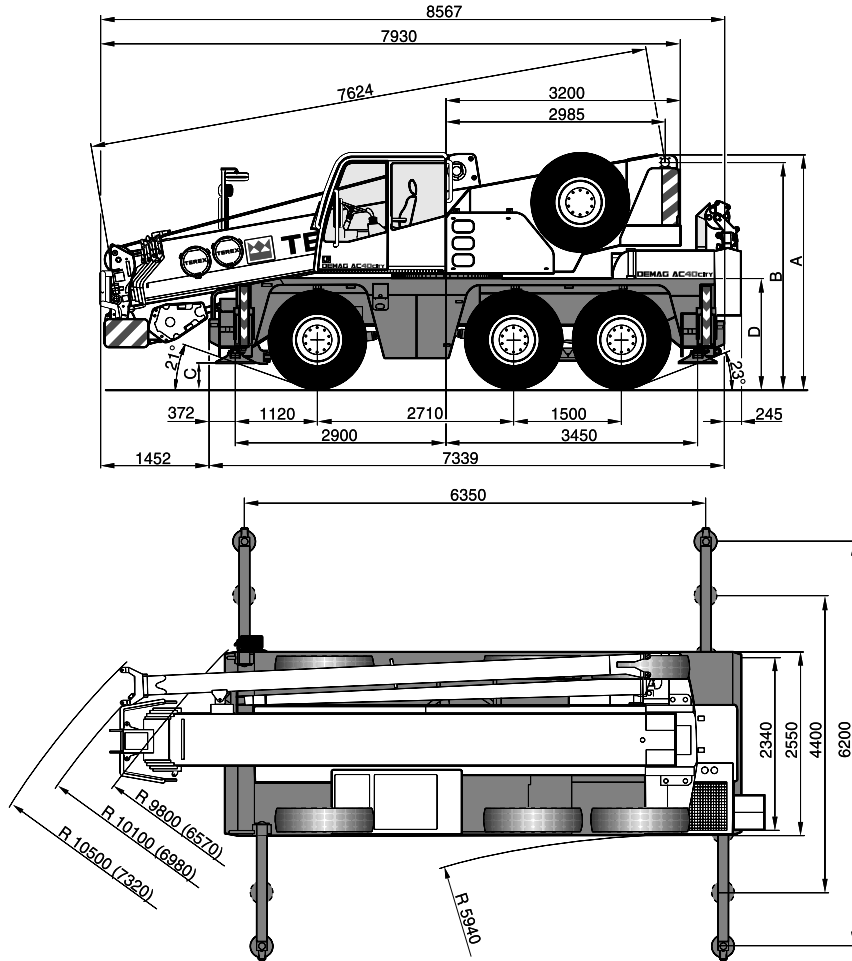


Demag AC40

40
Tonne

City & Low
Headroom Cranes

Dimensions



() with independent rear axle steering

Hookblock

| | | |
|--------------|------|------|
| Capacity (t) | 40 | 4.3 |
| Weight (t) | 0.48 | 0.13 |

| | Dimensions (mm) | | | |
|---------|-----------------|------|-----|------|
| | A | B | C | D |
| Raised | 3195 | 3085 | 340 | 1490 |
| Lowered | 3115 | 3005 | 260 | 1410 |

The charts that have been included have been reproduced from manufacturer specifications, and while every effort has been made to ensure their accuracy, we do not accept any responsibility for errors or omissions. We also need to draw your attention to the guidance notes on page 47 to assist you with your crane selection.

Lifting Capacities - Outriggers Fully Extended

| Radius (m) | Outriggers fully extended | | | | | | | | Free on wheels over Rear | | |
|---------------|---------------------------|-----------|------|------|------|------|------|------|-----------------------------|------|------|
| | Over rear | 360° Slew | | | | | | | 7.8 | 10.7 | 13.6 |
| | 7.8 | 7.8 | 10.7 | 13.6 | 19.5 | 25.3 | 28.4 | 31.2 | | | |
| 3 | 40 | 34.3 | 25 | 21 | | | | | 14.5 | 14 | 15.1 |
| 3.5 | | 32.4 | 25 | 21 | | | | | 12.9 | 12.4 | 13.4 |
| 4 | | 30.5 | 25 | 21 | 16 | | | | 11.5 | 11.1 | 12.1 |
| 4.5 | | 28.3 | 25 | 20.7 | 16 | | | | 10.4 | 10 | 11 |
| 5 | | | 24 | 19.7 | 16 | | | | | 9 | 10 |
| 6 | | | 20.3 | 17.9 | 16 | 14 | | | | 7.5 | 8.4 |
| 7 | | | 17 | 16 | 15.3 | 13.2 | 11.1 | | | 6.1 | 7.2 |
| 8 | | | | 15.4 | 14 | 12.2 | 10.8 | 9 | | | 5.9 |
| 9 | | | | 12.6 | 12.3 | 11.2 | 10.1 | 8.8 | | | 4.8 |
| 10 | | | | 10.5 | 10.3 | 10.3 | 9.4 | 8.3 | | | 4.1 |
| 12 | | | | | 8.1 | 7.6 | 7.6 | 7.3 | | | |
| 14 | | | | | | 5.9 | 6 | 5.9 | | | |
| 16 | | | | | | | 5 | 4.9 | 4.7 | | |
| 18 | | | | | | | 4.3 | 4 | 3.8 | | |
| 20 | | | | | | | 3.5 | 3.4 | 3.1 | | |
| 22 | | | | | | | 3 | 2.8 | 2.6 | | |
| 24 | | | | | | | | 2.3 | 2.1 | | |
| 26 | | | | | | | | | 1.7 | | |
| 28 | | | | | | | | | 1.4 | | |
| 30 | | | | | | | | | | | |
| HB | | 20 | 14 | 8.8 | 4.5 | 2.5 | 1.8 | 1.1 | 8 | 4 | 3 |

Lifting Capacities - Outriggers Partially Extended

| Radius (m) | Outriggers partially extended (4.4m) - 360 Main Boom | | | | | | |
|---------------|---|------|------|------|------|------|------|
| | 7.8 | 10.7 | 13.6 | 19.5 | 25.3 | 28.4 | 31.2 |
| 3 | 34.3 | 25 | 21 | | | | |
| 3.5 | 31.2 | 25 | 21 | | | | |
| 4 | 28.3 | 25 | 21 | 16 | | | |
| 4.5 | 23.8 | 23 | 20.7 | 16 | | | |
| 5 | | 18.4 | 18 | 16 | | | |
| 6 | | 13 | 14.4 | 14.2 | 13.6 | | |
| 7 | | 9.8 | 11.1 | 11.4 | 10.9 | 10.8 | |
| 8 | | | 8.9 | 9.2 | 8.7 | 8.8 | 8.8 |
| 9 | | | 7.3 | 7.6 | 7.7 | 7.4 | 7.2 |
| 10 | | | 6.2 | 6.4 | 6.5 | 6.3 | 6.1 |
| 12 | | | | 4.8 | 4.9 | 4.7 | 4.5 |
| 14 | | | | 3.7 | 3.8 | 3.6 | 3.4 |
| 16 | | | | 3 | 3 | 2.8 | 2.7 |
| 18 | | | | | 2.5 | 2.3 | 2.1 |
| 20 | | | | | 2.1 | 1.8 | 1.7 |
| 22 | | | | | 1.7 | 1.5 | 1.3 |
| 24 | | | | | | 1.2 | 1 |
| 26 | | | | | | | 0.8 |
| 28 | | | | | | | 0.6 |
| HB | 20 | 7 | 5.2 | 2.5 | 1.5 | 0.8 | |

The charts that have been included have been reproduced from manufacturer specifications, and while every effort has been made to ensure their accuracy, we do not accept any responsibility for errors or omissions. We also need to draw your attention to the guidance notes on page 47 to assist you with your crane selection.

Demag AC40

40
Tonne

City & Low
Headroom Cranes



Lifting Capacities - Outriggers in min. position

| Radius (m) | Outriggers at 2.34m - 360° Slew | | | | Free on wheels - 360° Slew (stationary) | | |
|------------|---------------------------------|------|------|------|---|------|------|
| | 7.8 | 10.7 | 13.6 | 19.5 | 7.8 | 10.7 | 13.6 |
| 4 | 11.8 | 11.2 | 12.6 | 12.9 | | | |
| 4.5 | 9.8 | 9.2 | 10.5 | 10.8 | 5.9 | 5.4 | 6.6 |
| 5 | | 7.7 | 8.9 | 9.2 | | 4.7 | 5.8 |
| 6 | | 5.7 | 6.7 | 7 | | 3.6 | 4.7 |
| 7 | | 4.3 | 5.3 | 5.5 | | 2.8 | 3.8 |
| 8 | | | 4.3 | 4.5 | | | 3.1 |
| 9 | | | 3.6 | 3.8 | | | 2.6 |
| 10 | | | 3 | 3.2 | | | 2.2 |
| 12 | | | | 2.3 | | | |
| 14 | | | | 1.7 | | | |
| HB | 8.0 | 2.8 | 2.1 | | 4.8 | 1.9 | 1.3 |

Main Boom Extension

| Radius (m) | 360° Slew - 25.3m Main Boom + | | | | | | | |
|------------|-------------------------------|-----|---------|-----|--------------------------------------|-----|---------|-----|
| | Outriggers fully extended | | | | Outriggers partially extended (4.4m) | | | |
| | 7.1m ext | | 13m ext | | 7.1m ext | | 13m ext | |
| | 0° | 30° | 0° | 30° | 0° | 30° | 0° | 30° |
| 8 | 6.5 | | | | 6.5 | | | |
| 9 | 6.2 | | | | 6.2 | | | |
| 10 | 5.9 | 4.2 | 3.6 | | 5.9 | 4.2 | 3.6 | |
| 12 | 5.4 | 4 | 3.3 | | 4.7 | 4 | 3.3 | |
| 14 | 4.9 | 3.8 | 3 | | 3.6 | 3.8 | 3 | |
| 16 | 4.5 | 3.7 | 2.8 | 2.2 | 2.8 | 3.1 | 2.8 | 2.2 |
| 18 | 4 | 3.5 | 2.6 | 2.1 | 2.3 | 2.5 | 2.4 | 2.1 |
| 20 | 3.3 | 3.4 | 2.4 | 2 | 1.8 | 2 | 1.9 | 2 |
| 22 | 2.8 | 2.9 | 2.3 | 1.9 | 1.5 | 1.6 | 1.6 | 1.9 |
| 24 | 2.3 | 2.4 | 2.1 | 1.9 | 1.2 | 1.3 | 1.3 | 1.6 |
| 26 | 1.9 | | 2 | 1.8 | 0.9 | | 1 | 1.3 |
| 28 | 1.6 | | 1.7 | 1.8 | 0.7 | | 0.8 | 1 |
| 30 | | | 1.5 | 1.6 | | | 0.6 | 0.8 |
| 32 | | | 1.2 | | | | | |
| 34 | | | 1 | | | | | |

| Radius (m) | 360° Slew - 31.2m Main Boom + | | | | | | | |
|------------|-------------------------------|-----|---------|-----|--------------------------------------|-----|---------|-----|
| | Outriggers fully extended | | | | Outriggers partially extended (4.4m) | | | |
| | 7.1m ext | | 13m ext | | 7.1m ext | | 13m ext | |
| | 0° | 30° | 0° | 30° | 0° | 30° | 0° | 30° |
| 10 | 5 | | | | 5 | | | |
| 12 | 4.8 | 3.9 | 3 | | 4.6 | 3.9 | 3 | |
| 14 | 4.6 | 3.7 | 2.9 | | 3.5 | 3.7 | 2.9 | |
| 16 | 4.4 | 3.5 | 2.8 | | 2.8 | 3.1 | 2.8 | |
| 18 | 4 | 3.3 | 2.7 | 2.1 | 2.2 | 2.5 | 2.3 | 2.1 |
| 20 | 3.3 | 3.1 | 2.5 | 2 | 1.7 | 2 | 1.8 | 2 |
| 22 | 2.7 | 2.9 | 2.4 | 1.9 | 1.4 | 1.6 | 1.5 | 1.8 |
| 24 | 2.2 | 2.4 | 2.2 | 1.9 | 1.1 | 1.3 | 1.2 | 1.5 |
| 26 | 1.8 | 2 | 1.9 | 1.8 | 0.8 | 1 | 0.9 | 1.2 |
| 28 | 1.5 | 1.6 | 1.6 | 1.8 | 0.6 | 0.7 | 0.7 | 1 |
| 30 | 1.2 | 1.3 | 1.3 | 1.6 | | | | 0.7 |
| 32 | 0.9 | | 1.1 | 1.3 | | | | |
| 34 | 0.7 | | 0.9 | 1 | | | | |
| 36 | | | 0.7 | | | | | |

The charts that have been included have been reproduced from manufacturer specifications, and while every effort has been made to ensure their accuracy, we do not accept any responsibility for errors or omissions. We also need to draw your attention to the guidance notes on page 47 to assist you with your crane selection.

City & Low
Headroom Cranes

Runner

| Radius (m) | Outriggers partially extended - 360° Slew Main Boom | | | | | | |
|---------------|--|--------------------|---------------------|---------------------|---------------------|---------------------|---------------------|
| | 7.8 | 10.7 | 13.6 | 19.5 | 25.3 | 28.4 | 31.2 |
| 3 | 15 ¹⁾ | 15 | 15 ¹⁾ | | | | |
| 3.5 | 15 ¹⁾ | 15 ¹⁾ | 15 ¹⁾ | | | | |
| 4 | 15 ²⁾ | 15 ¹⁾ | 15 ¹⁾ | | | | |
| 4.5 | 15 ²⁾ | 15 ¹⁾ | 15 ¹⁾ | 15 ¹⁾ | | | |
| 5 | 15 ³⁾ | 15 ¹⁾ | 15 ¹⁾ | 15 ¹⁾ | | | |
| 6 | | 15 ¹⁾ | 15 ¹⁾ | 14.5 ¹⁾ | | | |
| 7 | | 15 ²⁾ | 15 ¹⁾ | 13.6 ¹⁾ | 11.9 ¹⁾ | | |
| 8 | | 14.1 ³⁾ | 14.3 ¹⁾ | 12.5 ¹⁾ | 11 ¹⁾ | 9.8 ¹⁾ | |
| 9 | | | 12.6 ²⁾ | 11.6 ¹⁾ | 10.2 ¹⁾ | 9.1 ¹⁾ | 8.3 ¹⁾ |
| 10 | | | 10.5 ³⁾ | 10.3 ¹⁾ | 9.5 ¹⁾ | 8.6 ¹⁾ | 7.8 ¹⁾ |
| 12 | | | | 7.5 ¹⁾ | 7.6 ¹⁾ | 7.6 ¹⁾ | 6.8 ¹⁾ |
| 14 | | | | 6.2 ²⁾ | 5.8 ¹⁾ | 5.8 ¹⁾ | 5.8 ¹⁾ |
| 16 | | | | 5 ³⁾ | 4.5 ¹⁾ | 4.8 ¹⁾ | 4.6 ¹⁾ |
| 18 | | | | | 4 ²⁾ | 3.9 ¹⁾ | 3.7 ¹⁾ |
| 20 | | | | | 3.4 ²⁾ | 3.2 ²⁾ | 2.9 ¹⁾ |
| 22 | | | | | 2.9 ³⁾ | 2.6 ²⁾ | 2.3 ²⁾ |
| 24 | | | | | | 2.1 ³⁾ | 1.9 ²⁾ |
| 26 | | | | | | 1.8 ³⁾ | 1.5 ²⁾ |
| 28 | | | | | | | 1.2 ³⁾ |
| HB | 15 ²⁺³⁾ | 11 ²⁺³⁾ | 7.5 ²⁺³⁾ | 3.8 ²⁺³⁾ | 2.2 ²⁺³⁾ | 1.4 ²⁺³⁾ | 0.8 ²⁺³⁾ |

| Radius (m) | Outriggers partially extended - 360° Slew Main Boom | | | | | | |
|---------------|--|---------------------|---------------------|---------------------|---------------------|-------------------|-------------------|
| | 7.8 | 10.7 | 13.6 | 19.5 | 25.3 | 28.4 | 31.2 |
| 3 | 15 ¹⁾ | 15 | 15 ¹⁾ | | | | |
| 3.5 | 15 ¹⁾ | 15 ¹⁾ | 15 ¹⁾ | | | | |
| 4 | 15 ²⁾ | 15 ¹⁾ | 15 ¹⁾ | | | | |
| 4.5 | 15 ²⁾ | 15 ¹⁾ | 15 ¹⁾ | 15 ¹⁾ | | | |
| 5 | 15 ³⁾ | 15 ¹⁾ | 15 ¹⁾ | 15 ¹⁾ | | | |
| 6 | | 13.3 ¹⁾ | 14.7 ¹⁾ | 14.4 ¹⁾ | | | |
| 7 | | 10 ²⁾ | 11 ¹⁾ | 11 ¹⁾ | 11 ¹⁾ | | |
| 8 | | 7.9 ³⁾ | 8.9 ¹⁾ | 9.2 ¹⁾ | 8.7 ¹⁾ | 8.7 ¹⁾ | |
| 9 | | | 7.4 ²⁾ | 7.6 ¹⁾ | 7.2 ¹⁾ | 7.4 ¹⁾ | 7.2 ¹⁾ |
| 10 | | | 6.2 ²⁾ | 6.4 ¹⁾ | 6.5 ¹⁾ | 6.2 ¹⁾ | 6 ¹⁾ |
| 12 | | | | 4.7 ¹⁾ | 4.8 ¹⁾ | 4.6 ¹⁾ | 4.3 ¹⁾ |
| 14 | | | | 3.6 ²⁾ | 3.7 ¹⁾ | 3.5 ¹⁾ | 3.3 ¹⁾ |
| 16 | | | | 2.9 ³⁾ | 2.9 ¹⁾ | 2.7 ¹⁾ | 2.5 ¹⁾ |
| 18 | | | | | 2.4 ²⁾ | 2.1 ¹⁾ | 1.9 ¹⁾ |
| 20 | | | | | 1.9 ²⁾ | 1.7 ²⁾ | 1.5 ¹⁾ |
| 22 | | | | | 1.6 ³⁾ | 1.3 ²⁾ | 1.1 ²⁾ |
| 24 | | | | | | 1.1 ³⁾ | 0.8 ²⁾ |
| 26 | | | | | | 0.8 ³⁾ | |
| 28 | | | | | | | |
| HB | 15 ²⁺³⁾ | 6.8 ²⁺³⁾ | 4.8 ²⁺³⁾ | 2.3 ²⁺³⁾ | 1.2 ²⁺³⁾ | | |

¹⁾ Working range max. offset for runner

²⁾ Working range medium offset for runner

³⁾ Working range min. offset for runner

HB: With horizontal Boom

The charts that have been included have been reproduced from manufacturer specifications, and while every effort has been made to ensure their accuracy, we do not accept any responsibility for errors or omissions. We also need to draw your attention to the guidance notes on page 47 to assist you with your crane selection.