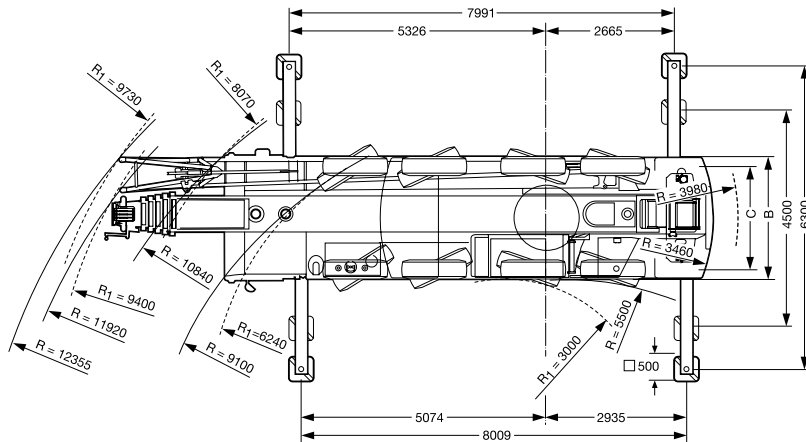
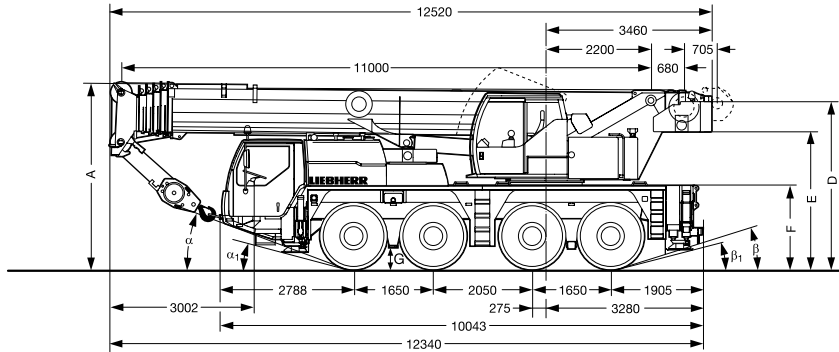


Liebherr LTM 1070-4.1

Dimensions



Tyre Width	Dimensions (mm)											
	A	*A 100mm	B	C	D	E	F	G	α	α'	β	β'
16.00 R25	3900	3800	2680	2231	3518	2868	1760	460	22°	16°	20°	16°

* lowered

Load Reductions (Fly Jib Stowed)

Boom Length (m)	11	14.6	18.2	21.8	25.4	28.9	32.5	36.1	39.7	43.3	46.9	50
Load to be Deducted (t)	0.86	0.65	0.52	0.44	0.38	0.33	0.29	0.26	0.24	0.22	0.20	0.19

Hookblock

Capacity (t)	70	58.4	38.3	16	5.7
Weight (t)	0.5	0.5	0.45	0.3	0.14

The charts that have been included have been reproduced from manufacturer specifications, and while every effort has been made to ensure their accuracy, we do not accept any responsibility for errors or omissions. We also need to draw your attention to the guidance notes on page 47 to assist you with your crane selection.

75
Tonne

All Terrain
Cranes

Liebherr LTM 1070-4.1

Lifting Capacities on the Telescopic Boom

14.5t Counterweight													
Main Boom (m)	11	14.6	18.2	21.8	25.4	28.9	32.5	36.1	39.7	43.3	46.9	50	
Radius (m)	*												
2.5	75												
3	61	51	51	51									
3.5	54	46.5	46.5	46.5	40	33							
4	48.5	42.5	42.5	42.5	39	32.5	26.3						
4.5	44	39	39	39	38	31.5	25.7	20.7					
5	39.5	35.5	36	36	35.5	31	25.2	20.4	16.9				
6	32	30.5	31	31	31	28.9	24.3	19.8	16.6				
7	27.1	26.3	26.8	26.9	26.8	27.1	23.3	19.1	16.2	13.1	10.2		
8	23.1	22.7	23.1	23.2	23.6	23.1	21.6	17.8	15.8	12.9	10.1	8	
9			20.4	20.3	20.7	19.9	18.6	16.6	15	12.6	9.8	7.8	6.6
10			17.8	18.1	18.1	17.3	16.3	15.6	14.1	12.1	9.6	7.7	6.6
12			13.5	13.9	14	13.7	13	12.6	12	11	9	7.4	6.4
14				10.9	11.1	11	10.9	10.3	9.9	9.3	8.3	6.9	6.1
16					9	8.9	9	8.7	8.3	8	7.6	6.5	5.7
18					7.4	7.6	7.4	7.4	7.2	6.9	6.4	6	5.4
20						6.4	6.2	6.3	6.2	5.9	5.7	5.4	5
22						5.5	5.3	5.4	5.1	5	4.9	4.6	4.5
24							4.7	4.7	4.6	4.4	4.2	3.9	3.9
26							4.3	4.1	4.1	3.8	3.6	3.3	3.3
28								3.6	3.6	3.3	3.1	2.9	2.8
30								3.2	3.1	2.9	2.7	2.4	2.4
32									2.7	2.5	2.4	2.1	2.1
34										2.2	2	1.8	1.8
36										1.7	1.7	1.5	1.5
38											1.4	1.2	1.2
40											1.2	1	1

* Over rear

The charts that have been included have been reproduced from manufacturer specifications, and while every effort has been made to ensure their accuracy, we do not accept any responsibility for errors or omissions. We also need to draw your attention to the guidance notes on page 47 to assist you with your crane selection.



Liebherr LTM 1070-4.1

Lifting Capacities on the Hydraulically Variable Folding Jib

14.5t Counterweight																									
Main Boom (m)	32.5				36.1				39.7				43.3				46.9				50				
Folding Jib (m)	9.5				9.5				9.5				9.5				9.5				9.5				
Radius (m)	0°	20°	40°	60°	0°	20°	40°	60°	0°	20°	40°	60°	0°	20°	40°	60°	0°	20°	40°	60°	0°	20°	40°	60°	
4.5	11.2																								
5	11.1				8.1																				
6	10.9				7.9				6.9																
7	10.7				7.7				6.7					4.8						4.3					
8	10.4	7.6			7.5				6.6					4.8						4.3			3.6		
9	10.1	7.4			7.3	6.5			6.5					4.8						4.3			3.6		
10	9.9	7.1	5.8		7.2	6.4			6.4	5.6				4.7						4.2			3.6		
12	9.4	6.7	5.4	4.6	6.9	6.2	5.3		6.2	5.5	5.1			4.5	4.1					4.1	3.7		3.5	3.2	
14	8.8	6.4	5.2	4.5	6.6	5.9	5.1	4.4	6	5.4	5	4.4	4.3	4.1	4					3.9	3.7	3.5		3.4	3.1
16	7.3	6.1	5.1	4.4	6.1	5.5	4.9	4.4	5.7	5.1	4.8	4.4	4.1	4	3.9	3.9	3.8	3.6	3.5	3.8	3.3	3.1	3.1		
18	6.1	5.9	5	4.4	5.7	5.1	4.6	4.4	5.4	4.8	4.6	4.3	3.9	3.8	3.7	3.7	3.7	3.5	3.5	3.6	3.2	3.1	3.1	3.2	
20	5.1	5.5	4.9	4.4	5.2	4.7	4.4	4.3	4.8	4.6	4.3	4.3	3.7	3.5	3.5	3.5	3.6	3.4	3.4	3.4	3.1	3	3	3.1	
22	4.3	4.7	4.8	4.4	4.5	4.4	4.2	4.2	4.1	4.3	4.2	4.2	3.4	3.3	3.3	3.3	3.4	3.3	3.2	3.3	3	2.9	2.9	3	
24	3.6	4	4.2	4.3	3.9	4.1	4	4	3.4	3.8	4	4	3.2	3.1	3.1	3.1	3.2	3.1	3.1	3.1	2.8	2.8	2.8	2.8	
26	3.1	3.3	3.6	3.7	3.3	3.6	3.8	3.9	2.9	3.2	3.4	3.6	3	2.9	2.9	3	2.8	2.9	2.9	3	2.7	2.7	2.6	2.7	
28	2.6	2.8	3	3	2.8	3.1	3.3	3.3	2.4	2.7	2.9	3	2.7	2.8	2.8	2.8	2.3	2.6	2.8	2.8	2.2	2.5	2.5	2.6	
30	2.1	2.3	2.4	2.4	2.4	2.6	2.8	2.8	2	2.2	2.4	2.5	2.3	2.5	2.6	2.7	1.9	2.2	2.4	2.5	1.9	2.1	2.3	2.5	
32	1.7	1.9	2	1.9	2	2.2	2.3	2.3	1.6	1.9	2	2.1	2	2.2	2.3	2.4	1.6	1.8	2	2.1	1.5	1.8	1.9	2	
34	1.4	1.5	1.6	1.5	1.7	1.8	1.9	1.9	1.3	1.5	1.6	1.7	1.6	1.8	2	2	1.3	1.5	1.7	1.7	1.2	1.4	1.6	1.7	
36	1.1	1.2	1.2		1.4	1.5	1.5	1.5	1.1	1.2	1.3	1.3	1.4	1.5	1.6	1.7	1	1.2	1.3	1.4	0.9	1.1	1.3	1.3	
38	0.8	0.9			1.1	1.2	1.2		0.8	0.9	1	1	1.1	1.3	1.3	1.3	0.8	0.9	1.1	1.1	0.7	0.9	1	1	
40					0.9	0.9	0.9			0.7	0.7	0.7	0.9	1	1.1	1		0.7	0.8	0.8		0.6	0.7	0.8	
42					0.7	0.7																			
44																	0.6								



75
Tonne
All Terrain
Cranes

The charts that have been included have been reproduced from manufacturer specifications, and while every effort has been made to ensure their accuracy, we do not accept any responsibility for errors or omissions. We also need to draw your attention to the guidance notes on page 47 to assist you with your crane selection.

Liebherr LTM 1070-4.1

Lifting Capacities on the Hydraulically Vairable Folding Jib

14.5t Counterweight																						
Main Boom (m)	32.5				36.1				39.7				43.3				46.9				50	
Folding Jib (m)	16				16				16				16				16				16	
Radius (m)	0°	20°	40°	60°	0°	20°	40°	60°	0°	20°	40°	60°	0°	20°	40°	60°	0°	20°	40°	60°	0°	20°
5	5.7																					
6	5.5				4.5																	
7	5.3				4.4				4.1													
8	5.2				4.4				4.1				3.3									
9	5				4.3				4				3.2				2.9					2.5
10	4.9				4.3				3.9				3.1				2.8					2.5
12	4.5	3.3			4.1	3.1			3.8				3				2.7					2.4
14	4.2	3.1			3.9	3			3.7	2.9			2.9	2.6			2.6					2.3
16	4	2.9	2.4		3.8	2.8	2.3		3.6	2.8			2.8	2.6			2.6	2.4				2.2 2.1
18	3.7	2.8	2.3	2.1	3.6	2.7	2.3		3.5	2.7	2.2		2.7	2.5	2.2		2.5	2.3				2.2 2
20	3.5	2.7	2.2	2.1	3.4	2.6	2.2	2.1	3.3	2.6	2.2	2.1	2.7	2.4	2.1	2	2.5	2.3	2.1			2.1 2
22	3.3	2.6	2.2	2.1	3.3	2.5	2.2	2.1	3.2	2.5	2.1	2.1	2.6	2.4	2.1	2	2.4	2.3	2.1	2		2.1 2
24	3.1	2.5	2.1	2.1	3.1	2.4	2.1	2.1	3.1	2.4	2.1	2	2.6	2.3	2.1	2	2.4	2.3	2	2		2.1 2
26	2.9	2.4	2.1	2.1	3	2.3	2.1	2.1	3	2.3	2.1	2	2.6	2.3	2	2	2.3	2.2	2	2		2 2
28	2.8	2.3	2.1	2.1	2.9	2.3	2	2.1	2.6	2.3	2	2	2.4	2.2	2	2	2.3	2.2	2	2		2 2
30	2.4	2.2	2	2.1	2.6	2.2	2	2.1	2.2	2.2	2	2	2.3	2.1	2	2	2.1	2.1	2	2		1.9 1.9
32	2	2.2	2	2.1	2.3	2.2	2	2.1	1.9	2.2	2	2	2.1	2.1	2	2	1.7	2.1	2	2		1.6 1.9
34	1.7	2	2	2.1	1.9	2.1	2	2.1	1.6	1.9	2	2	1.8	2	1.9	2	1.4	1.8	1.9	2		1.3 1.7
36	1.4	1.6	1.8	1.8	1.6	1.9	2	2.1	1.3	1.6	1.8	2	1.5	1.8	1.9	2	1.1	1.5	1.8	1.9		1 1.4
38	1.1	1.3	1.5	1.4	1.4	1.6	1.8	1.8	1	1.3	1.5	1.6	1.2	1.5	1.7	1.8	0.9	1.2	1.5	1.6		0.8 1.1
40	0.9	1	1.1	1	1.1	1.3	1.5	1.4	0.8	1.1	1.2	1.3	1	1.3	1.4	1.5	0.7	1	1.2	1.3		0.6 0.9
42	0.7	0.8	0.8		0.9	1.1	1.2	1.1	0.6	0.8	1	1	0.8	1	1.2	1.2		0.7	0.9	1		0.7
44			0.6		0.7	0.8	0.9			0.6	0.7	0.6	0.6	0.8	1	1			0.7	0.7		
46					0.6	0.6								0.6	0.7	0.7						

75
Tonne

All Terrain
Cranes

The charts that have been included have been reproduced from manufacturer specifications, and while every effort has been made to ensure their accuracy, we do not accept any responsibility for errors or omissions. We also need to draw your attention to the guidance notes on page 47 to assist you with your crane selection.