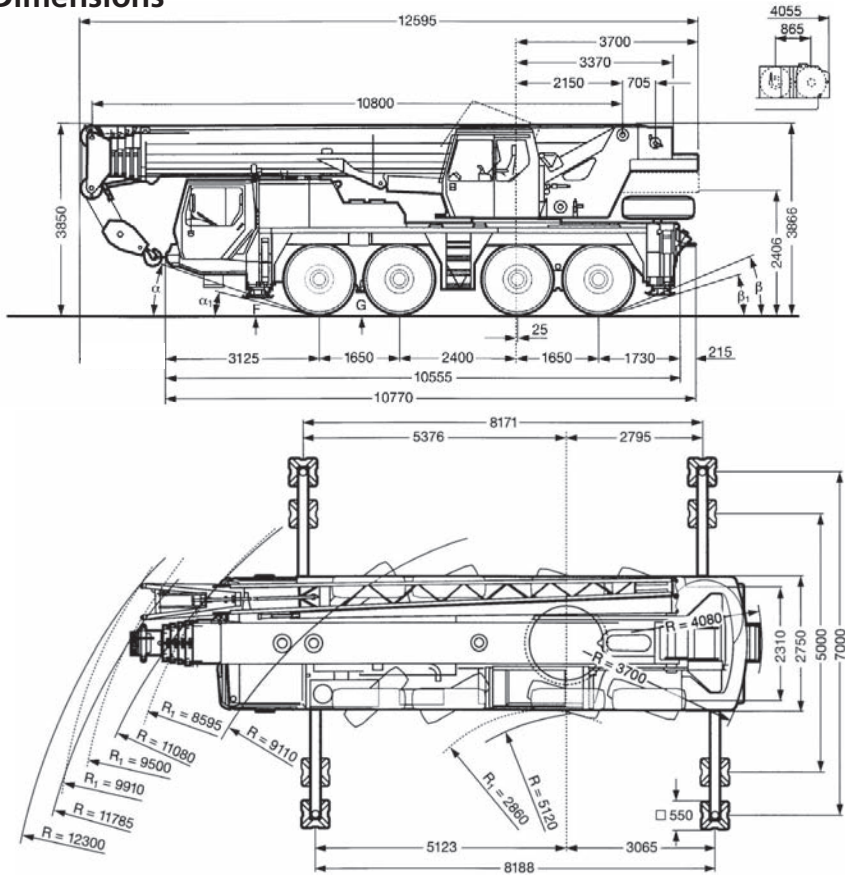


Liebherr LTM 1080-1

Dimensions



R₁ - All Wheel Steering

Tyre Width	Dimensions (mm)											
	A	*A 100mm	B	C	D	E**	F	G	α	α ¹	β	β ¹
14.00 R25	3800	3700	2350	2750	2356	3816	295	380	17°	14°	21°	14°
16.00 R25	3850	3750	2310	2750	2406	3866	345	430	19°	16°	23°	16°

* lowered ** with folding jib

Load Reductions (Fly Jib Stowed)

Boom Length (m)	10.8	14.2	17.6	21.1	24.5	27.9	31.3	34.8	38.2	41.6	45	48
Load to be Deducted (t)	0.8	0.6	0.5	0.4	0.3	0.3	0.3	0.2	0.2	0.2	0.2	0.2

Hookblock

Capacity (t)	80	58	38	16	5.7
Weight (t)	0.45	0.41	0.47	0.33	0.11

The charts that have been included have been reproduced from manufacturer specifications, and while every effort has been made to ensure their accuracy, we do not accept any responsibility for errors or omissions. We also need to draw your attention to the guidance notes on page 47 to assist you with your crane selection.

80
Tonne

All Terrain
Cranes

AT19

Liebherr LTM 1080-1

Main Boom Duties

Boom Length (m)	16t Counterweight												
	10.8	14.2	17.6	21.1	24.5	27.9	31.3	34.8	38.2	41.6	45	48	
Radius (m)	*												
2.5	80												
3	71	62	62	57									
3.5	63	56	56	53	46								
4	57	52	52	49.5	44								
4.5	52	47.5	47.5	46	42	35							
5	47	44	44	43	40	33.5	27.9						
6	39	38	37.5	37	36.5	30.5	26.1	22.6					
7	33.5	33	32.5	32.5	32	28	24.5	21.2	18.2				
8	28.9	28.5	28.3	27.7	27.5	25.6	22.9	19.9	17.3	15	12.8		
9			24.6	24.1	23.8	22.9	21	18.7	16.5	14.3	12.3	10.8	8.7
10			21.6	21.1	20.6	19.9	19.5	17.5	15.8	13.7	11.8	10.5	8.4
12			16.1	15.7	15.5	15.5	15.3	15.2	13.8	12.4	10.9	9.6	7.7
14				12.1	12	12.1	12.2	12.3	12.1	11.1	9.8	8.6	7.2
16					9.4	9.6	9.9	10.1	10	10	8.8	7.8	6.5
18					7.6	7.9	8	8.3	8.3	8.5	8	7.1	6
20						7.1	6.5	6.9	7	7.2	7.2	6.5	5.5
22						6.3	5.6	6.3	5.8	6.1	6.2	5.9	5.1
24							5	5.6	5.2	5	5.2	5.4	4.7
26								4.9	4.8	4.5	4.8	4.5	4.4
28								4.2	4.4	4.1	4.3	3.9	3.9
30									4.1	3.8	3.7	3.4	3.4
32									3.7	3.5	3.3	3	2.9
34										3.1	2.9	2.6	2.5
36											2.6	2.3	2.2
38											2.3	2	1.9
40												1.7	1.7
42												1.4	1.4
44													1.2

* Over rear

80
Tonne

All Terrain
Cranes

The charts that have been included have been reproduced from manufacturer specifications, and while every effort has been made to ensure their accuracy, we do not accept any responsibility for errors or omissions. We also need to draw your attention to the guidance notes on page 47 to assist you with your crane selection.

Liebherr LTM 1080-1

Fly Jib Duties

16t Counterweight												
Main Boom (m)	38.2			41.6			45			48		
Fly Jib (m)	10.5			10.5			10.5			10.5		
Radius (m)	0°	20°	40°	0°	20°	40°	0°	20°	40°	0°	20°	40°
10	8.7											
12	8.4			7			5.7			4.1		
14	7.9	6.6		6.5	5.8		5.3	4.7		4		
16	7.1	6.3	5.5	6.1	5.4	5.1	4.9	4.4		3.8	3.7	
18	6.4	6.1	5.4	5.6	5.1	4.8	4.5	4.1	4	3.6	3.5	3.5
20	5.9	5.7	5.3	5.1	4.7	4.5	4.2	3.9	3.7	3.4	3.4	3.3
22	5.3	5.2	5.2	4.7	4.5	4.3	4	3.6	3.5	3.3	3.2	3.2
24	4.9	4.7	4.8	4.3	4.2	4	3.7	3.4	3.3	3.1	3.1	3.1
26	4.3	4.3	4.4	3.9	4	3.8	3.5	3.3	3.2	2.9	2.9	2.9
28	3.7	4	4	3.6	3.7	3.7	3.3	3.1	3	2.7	2.8	2.8
30	3.2	3.5	3.6	3.2	3.4	3.4	3.1	2.9	2.9	2.6	2.6	2.7
32	2.8	3	3.1	2.8	3	3.2	2.8	2.8	2.7	2.4	2.5	2.5
34	2.4	2.6	2.7	2.6	2.6	2.7	2.5	2.6	2.7	2.3	2.3	2.4
36	2.2	2.3	2.3	2.4	2.4	2.5	2.1	2.3	2.4	2	2.2	2.2
38	2.1	2.1		2.1	2.3	2.3	1.8	2	2.1	1.8	1.9	2.1
40	1.9	2		1.9	2		1.6	1.7	1.8	1.5	1.7	1.8
42	1.8	1.8		1.6	1.7		1.3	1.5	1.5	1.3	1.4	1.5
44	1.6	1.6		1.4	1.5		1.1	1.2		1.1	1.2	1.2
46	1.4			1.2	1.2		0.9	1		0.8	1	
48				1			0.7	0.8		0.7	0.8	
50								0.6			0.6	



80
Tonne

All Terrain
Cranes



The charts that have been included have been reproduced from manufacturer specifications, and while every effort has been made to ensure their accuracy, we do not accept any responsibility for errors or omissions. We also need to draw your attention to the guidance notes on page 47 to assist you with your crane selection.

Liebherr LTM 1080-1

Fly Jib Duties

16t Counterweight												
Main Boom (m)	38.2			41.6			45			48		
Fly Jib (m)	19			19			19			19		
Radius (m)	0°	20°	40°	0°	20°	40°	0°	20°	40°	0°	20°	40°
12	3.4											
14	3.3			3.1			2.7			2.4		
16	3.2			2.9			2.7			2.4		
18	3	2.6		2.8	2.4		2.6			2.4		
20	2.9	2.5		2.8	2.4		2.6	2.2		2.4	2.1	
22	2.8	2.4	2.1	2.7	2.3		2.5	2.2		2.3	2	
24	2.8	2.4	2.1	2.6	2.3	2	2.5	2.1	1.9	2.2	2	1.8
26	2.7	2.3	2	2.6	2.2	2	2.4	2.1	1.9	2.1	2	1.8
28	2.6	2.2	2	2.5	2.2	2	2.3	2.1	1.9	2	2	1.8
30	2.5	2.2	2	2.4	2.1	2	2.2	2	1.9	1.9	1.9	1.7
32	2.4	2.1	2	2.4	2.1	1.9	2.1	2	1.9	1.9	1.8	1.7
34	2.3	2.1	1.9	2.3	2	1.9	2	1.9	1.8	1.8	1.8	1.7
36	2.2	2	1.9	2.3	2	1.9	1.9	1.8	1.8	1.7	1.7	1.7
38	2	2	1.9	2	2	1.9	1.8	1.7	1.7	1.6	1.6	1.6
40	1.8	2	1.9	1.8	2	1.9	1.7	1.7	1.7	1.5	1.6	1.6
42	1.6	1.8	1.9	1.7	1.8	1.8	1.5	1.6	1.6	1.4	1.5	1.5
44	1.5	1.5	1.7	1.6	1.5	1.7	1.3	1.6	1.6	1.2	1.4	1.4
46	1.4	1.4		1.4	1.5	1.5	1.1	1.3	1.5	1	1.3	1.3
48	1.3	1.3		1.2	1.4	1.4	0.9	1.1	1.3	0.9	1.1	1.2
50	1.2	1.2		1	1.2		0.8	1	1.1	0.7	0.9	1
52	1	1.1		0.9	1		0.6	0.8			0.7	0.8
54	0.9			0.7	0.8			0.6				
56				0.6								

80
Tonne

All Terrain
Cranes

The charts that have been included have been reproduced from manufacturer specifications, and while every effort has been made to ensure their accuracy, we do not accept any responsibility for errors or omissions. We also need to draw your attention to the guidance notes on page 47 to assist you with your crane selection.