

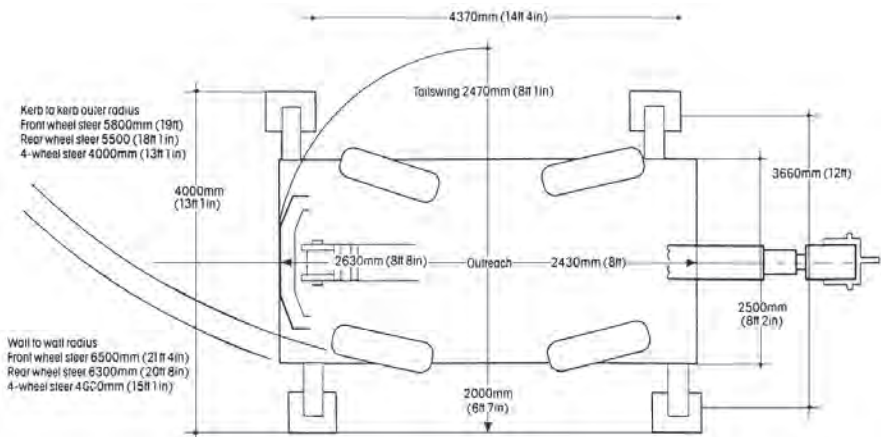
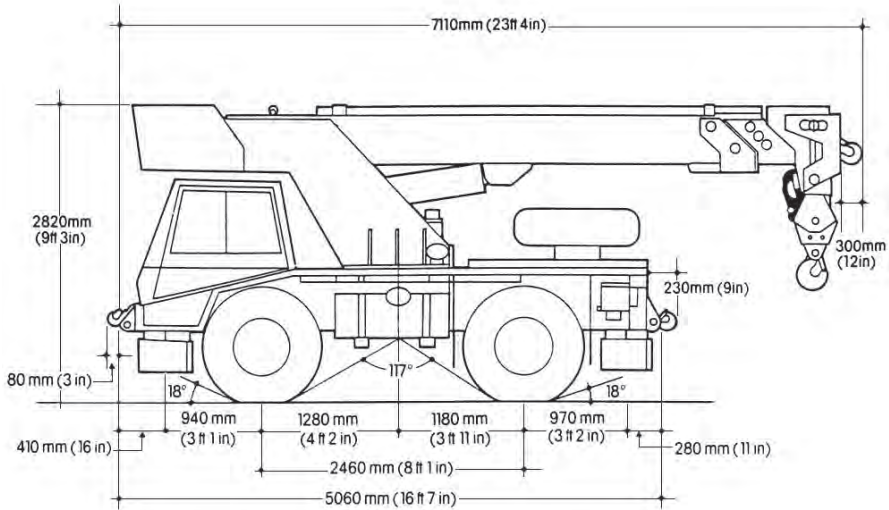
Grove AP415

Low Headroom

12
Tonne

City & Low
Headroom Cranes

Dimensions



Hookblock

Capacity	12	2.6
Weight	0.18	0.1

The charts that have been included have been reproduced from manufacturer specifications, and while every effort has been made to ensure their accuracy, we do not accept any responsibility for errors or omissions. We also need to draw your attention to the guidance notes on page 48 to assist you with your crane selection.

Outriggers Full Extended 360° Slew

Radius (m)	Main Boom		
	5.50	9.00	12.50
2.50	12.00		
2.75	12.00	10.25	
3.00	12.00	9.75	
3.50	10.20	9.35	
4.00		8.75	
4.50		8.35	5.10
5.00		7.10	4.80
6.00		5.15	4.30
7.00		3.90	3.85
8.00			3.15
9.00			2.55
10.00			2.10
10.50			1.95

Radius (m)	12.5m Main Boom + 5M Swingaway	
	Offset	Jib
	0°	10°
7.00	2.45	
8.00	2.20	1.90
9.00	2.10	1.80
10.00	1.95	1.70
12.00	1.60	1.50
14.00	1.25	1.20
15.50	1.05	0.90

Free on Wheels

Radius (m)	Main Boom (m)			
	360° Slew		Over Front	
	9.00	12.50	9.00	12.50
2.50	8.00		8.45	
2.75	7.15		7.80	
3.00	6.55		7.25	
3.50	5.60		6.30	
4.00	4.65		5.65	
4.50	3.85	3.85	5.00	4.65
5.00	3.20	3.20	4.35	4.35
6.00	2.35	2.35	3.20	3.20
7.00	1.75	1.75	2.45	2.45
8.00		1.40		1.95
9.00		1.10		1.55
10.00		0.85		1.25
10.50		0.75		1.15

Radius (m)	12.5m Main Boom + 5m Swingaway			
	360° Slew		Over Front	
	Offset		Offset	
	0°	10°	0°	10°
7.00	2.10		2.45	
8.00	1.65	1.70	2.20	1.80
9.00	1.35	1.40	1.80	1.65
10.00	1.10	1.15	1.50	1.50
12.00	0.75	0.75	1.05	1.15
14.00	0.50	0.50	0.75	0.85
15.50			0.60	0.65